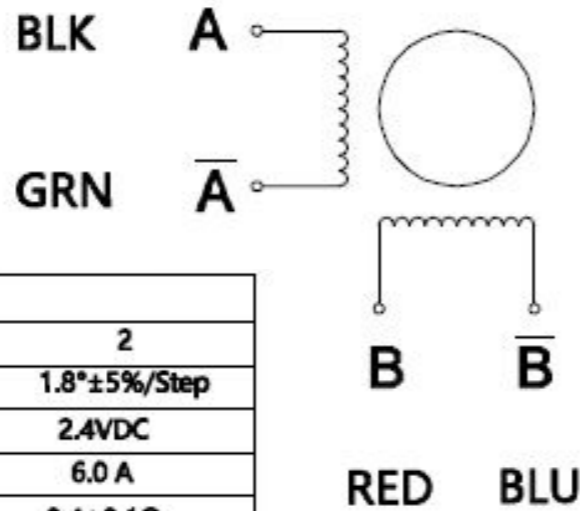
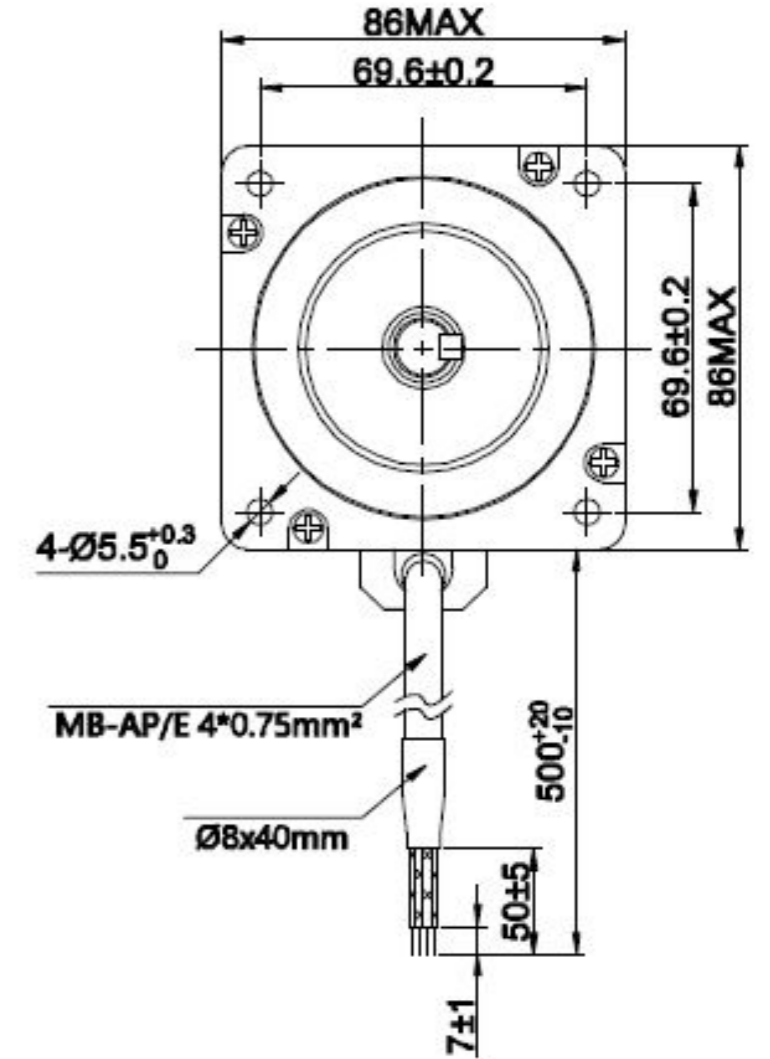
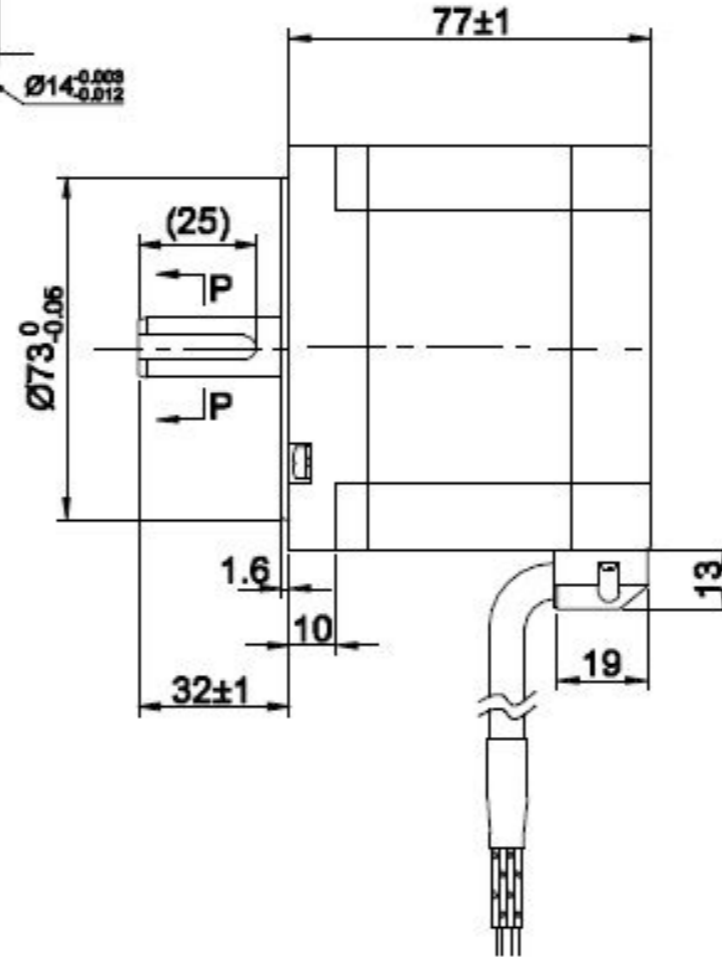
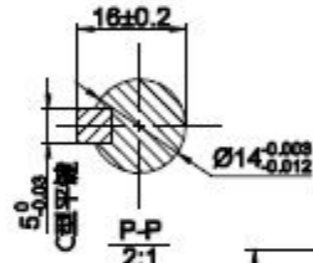
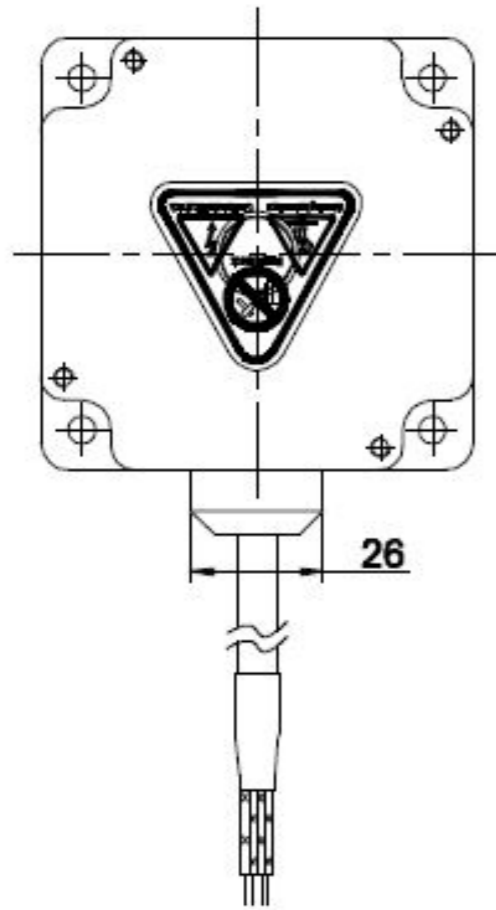
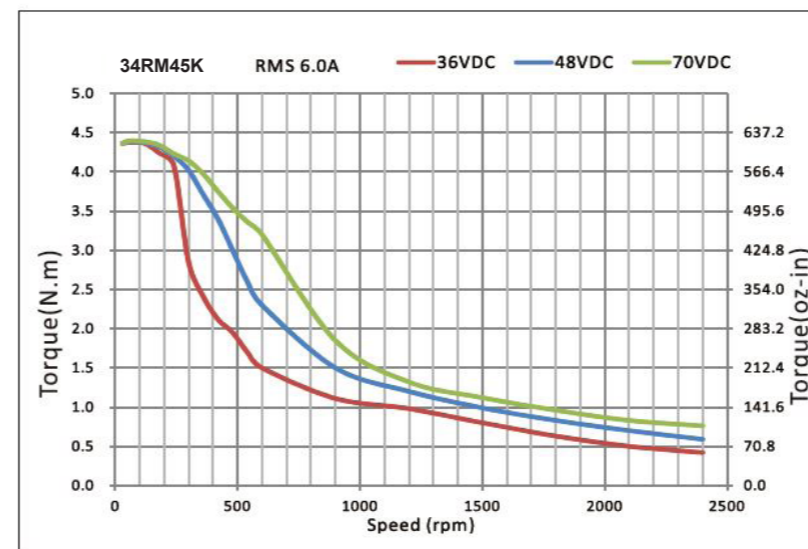


**DIMENSIONS Unit=mm**



Specifications		
1.	Phase	2
2.	Step Angle	1.8°±5%/Step
3.	Voltage	2.4VDC
4.	Current	6.0 A
5.	Resistance	0.4±0.1Ω
6.	Inductance	2.87±20% mH
7.	Holding Torque	450N.cm
8.	Surface Treatment	
9.	Dielectric Strength	500VAC/5mA/1min
10.	Insulation Resistance	≥100MΩ/500VDC
11.	Insulation Class	Class B
12.	Lead Style	MB-AP/C 4x0.2mm²
13.	Weight	TBD KG



(Title)	Stepper Motor
(Model)	34RM45K
(DWG No.)	R-34RM45K
(Scale)	
1:1	